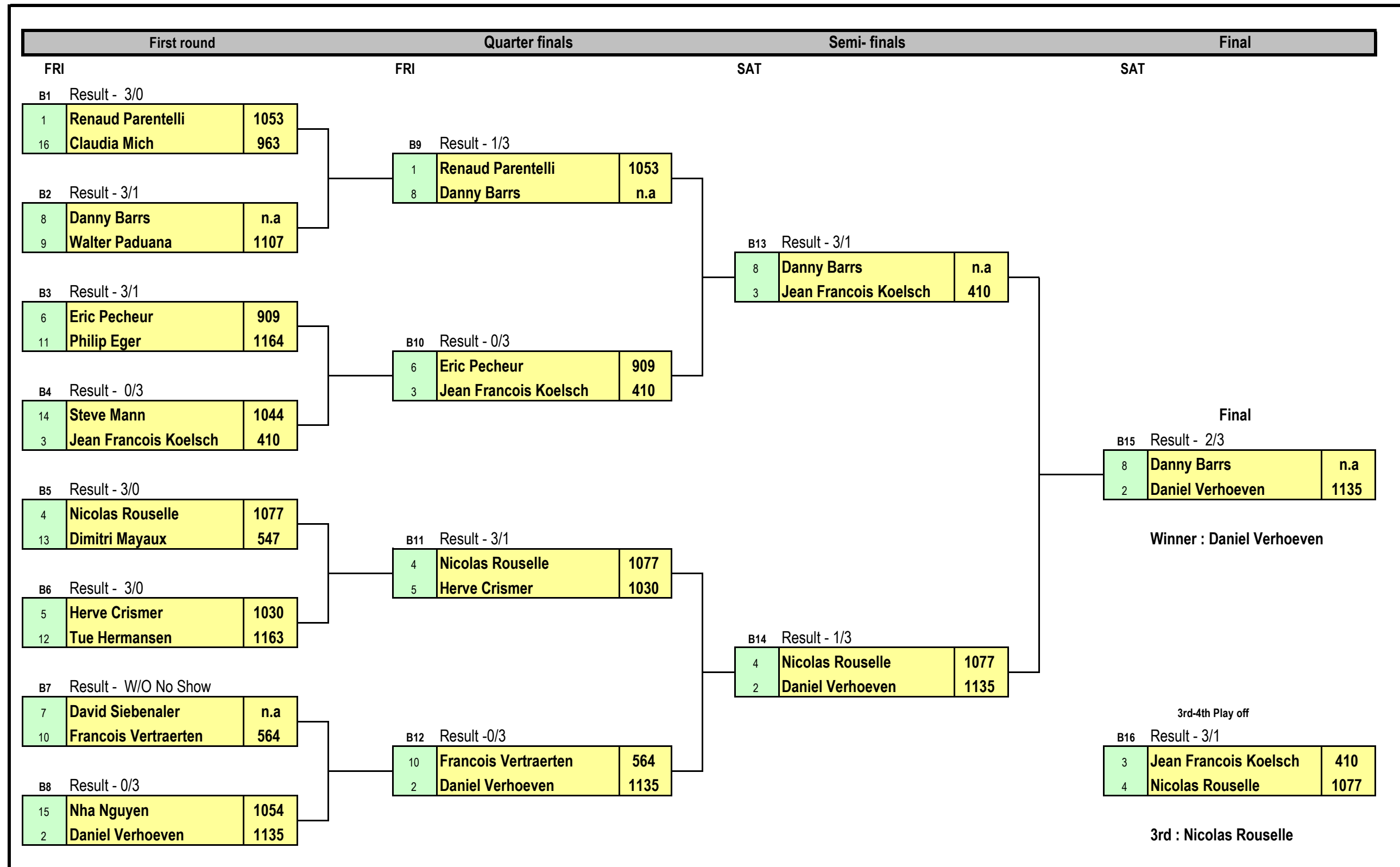
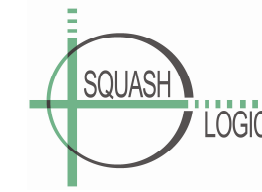




# ANGELS OPEN 2008

## 8th-9th February

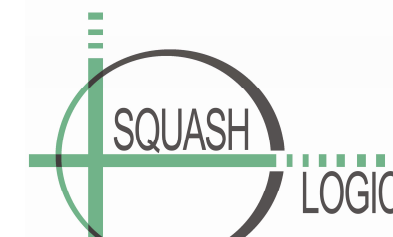
### B Division



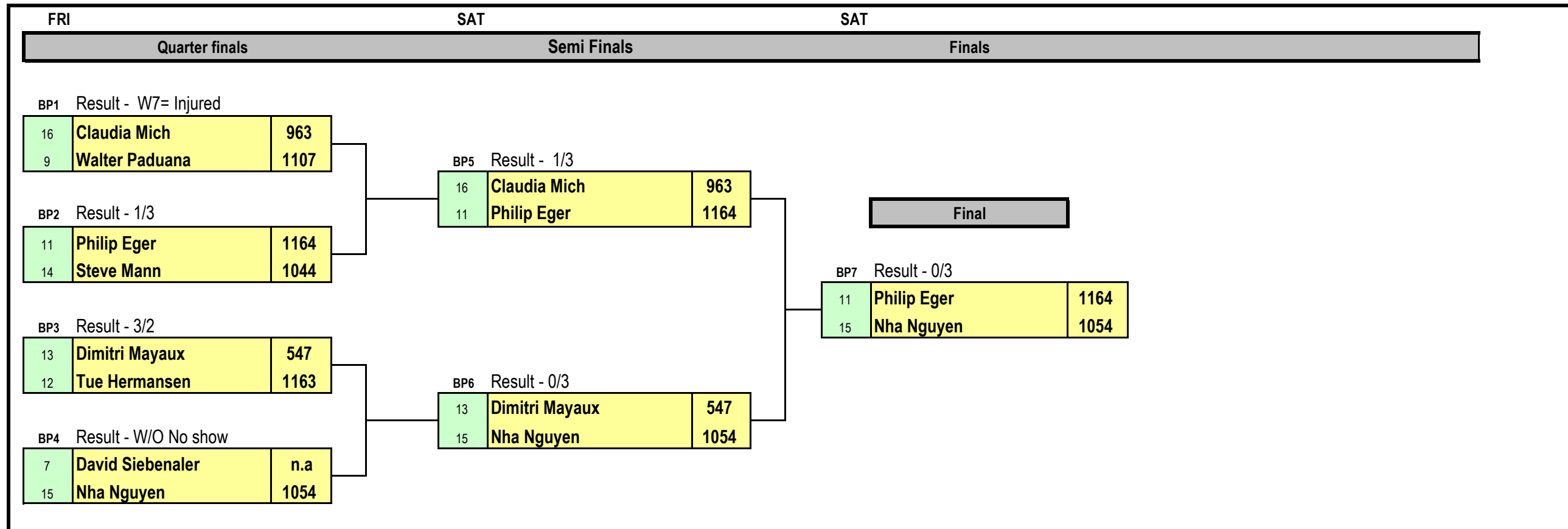
# ANGELS OPEN 2008

## 8th-9th February

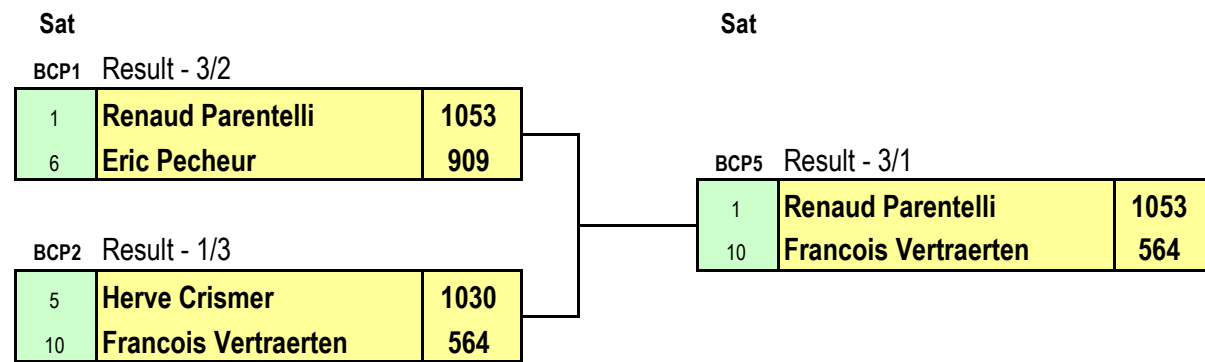
### B Division



# Plate competition



## Classic plate competition



## Minor plate competition

