



# TopSquash Open 2009

## 6th & 7th March

### D Division

First round

Quarter finals

Semi- finals

Final

FRI

D1

1	Marc Heath	3
16	Bye	

D2

8	Milos Kucecka	3
9	Joël Flugel	0

D3

5	Alan Botfield	0
12	Jonathan Valot	3

D4

13	Olivier Meray	0
4	Christel Fourny	3

D5

3	Frédéric Bordin	3
14	Cyril Dejohnge	0

D6

11	Davy Barichello	0
6	Yilmaz Tunc	3

D7

10	Danilo Capurso	3
7	Martin Kacala	2

D8

15	Bye	
2	Kirsty Sutherland	3

FRI

D9

1	Marc Heath	0
8	Milos Kucecka	3

D10

12	Jonathan Valot	3
4	Christel Fourny	0

D11

3	Frédéric Bordin	1
6	Yilmaz Tunc	3

D12

10	Danilo Capurso	3
2	Kirsty Sutherland	2

SAT

D13

8	Milos Kucecka	3
12	Jonathan Valot	0

D14

6	Yilmaz Tunc	3
10	Danilo Capurso	0

SAT

D15

8	Milos Kucecka	1
6	Yilmaz Tunc	3

D16

12	Jonathan Valot	3
10	Danilo Capurso	2

Final

Winner: Yilmaz Tunc

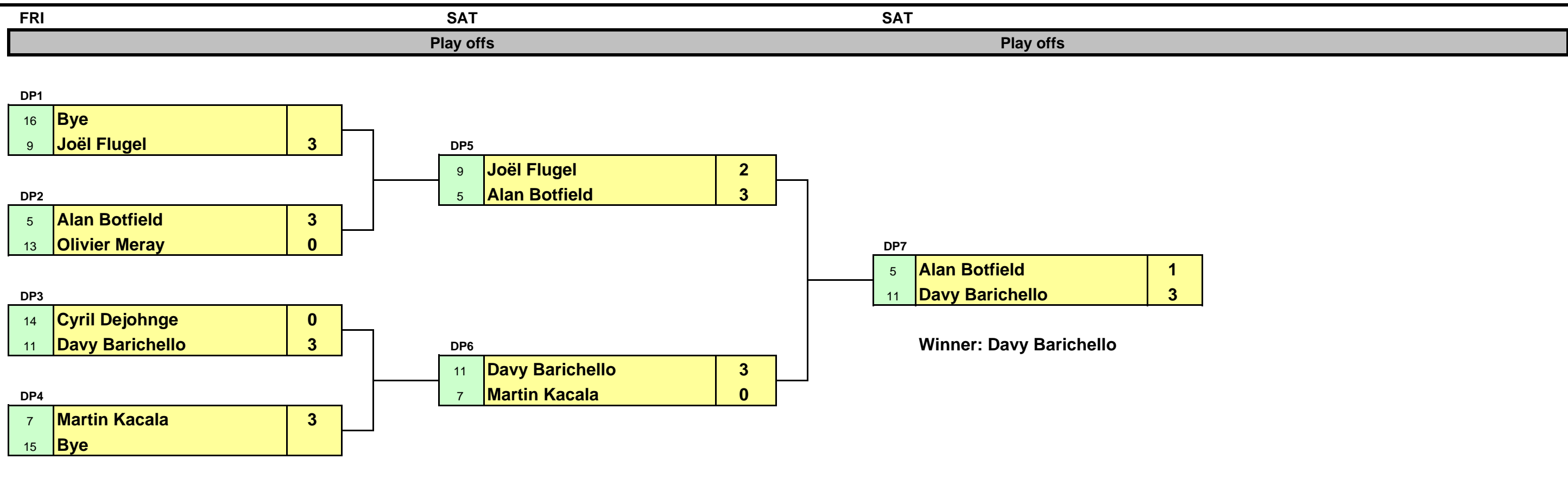
3rd-4th Play off

Third: Jonathan Valot

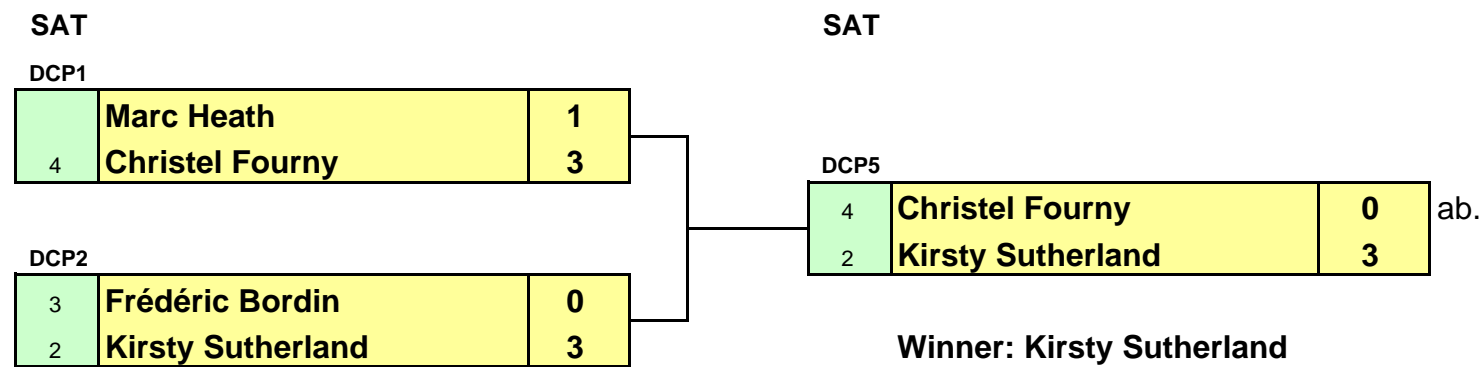


# TopSquash Open 2009 6th & 7th March

## Plate competition (Losers 1st round main draw)



## Classic plate competition (Loser 2nd round main draw)



## Minor plate competition (Loser 1st round plate)

